



Premium
Efficiency
Motor

EC Motor

In response to the rising demand for more efficient motors in the HVAC market, LG has developed its first Electronically Commutated Motor (ECM) with the expertise and industry knowledge as a global HVAC manufacturer. LG EC Motor enters the market with its magnetic flux concentration design, delivering performance with low energy consumption. Its powerful motor platform boasts a capacity of 1/3 to 1HP for compatibility across a wide range of applications, from air conditioner condensers, air handlers, and related air ventilation components.



EC Motor Key Features

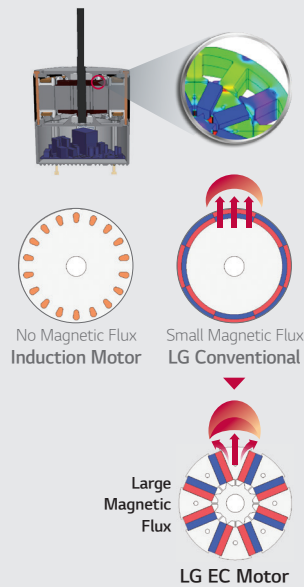


Premium Efficiency

LG EC Motor has developed with the expertise and industry knowledge as a global HVAC manufacturer. Its powerful motor platform boasts a capacity of 1/3 to 1HP for compatibility across a wide range of applications from condensing unit, air handlers, furnace and related air ventilation components.

Design Features

LG EC Motor is designed to concentrate the magnetic flux as compared to LG's conventional SPM type motor.



Improved Noise & Vibration

LG EC motor reduces noise and vibration by improving cogging torque by 75% compared to a conventional motor.



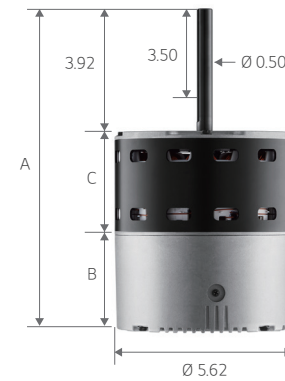
Specification

EC Motor for Indoor Unit	
Type	ECM
Rated Output [HP]	1/3, 1/2, 3/4, 1
Rated Speed [rpm]	1,050
Maximum Speed [rpm]	1,200
Voltage [V]	AC 115/230
Operation Temperature [°C]	-20 ~ 55
Communication	DSI or PWM, 24VAC
Operation Mode	Constant Torque, Airflow
Application	Furnace, Air Handler

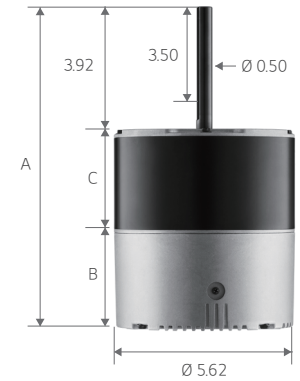
EC Motor for Outdoor Unit	
Type	ECM
Rated Output [HP]	1/3, 1/2
Rated Speed [rpm]	1,050
Maximum Speed [rpm]	1,500
Voltage [V]	AC 230
Operation Temperature [°C]	-20 ~ 60
Communication	PWM
Operation Mode	Variable speed
Application	Split System Outdoor Unit

Dimensions

Indoor Unit



Outdoor Unit



HP	1/3	1/2	3/4	1
A	9.61	9.61	10.98	10.98
B	2.48	2.48	2.87	2.87
C	3.31	3.31	4.29	4.29

※ All Dimensions and Specifications are only for reference.



4300 NORTH POINT PKWY SUITE#100 ALPHARETTA, GA 30022
Office : 678-328-6433
www.lg.com/global/business

For Continual product development, LG reserves the right to change the specifications without notice.
© LG Electronics Inc. Printed in Korea Jan, 2022

